

Shelving Installation

STYLELINE® Profile Shelving
Installation Manual

Styleline® **PROFILE**



SAFETY:

- **AT MINIMUM TWO ASSEMBLERS ARE REQUIRED DURING INSTALLATION AND ASSEMBLY.**
- **USE CAUTION WHEN WORKING WITH SHEET METAL FRAMES. WEAR APPROPRIATE PPE (PERSONAL PROTECTIVE EQUIPMENT SUCH AS GLOVES, SAFETY GLASSES, AND ARM GUARDS).**



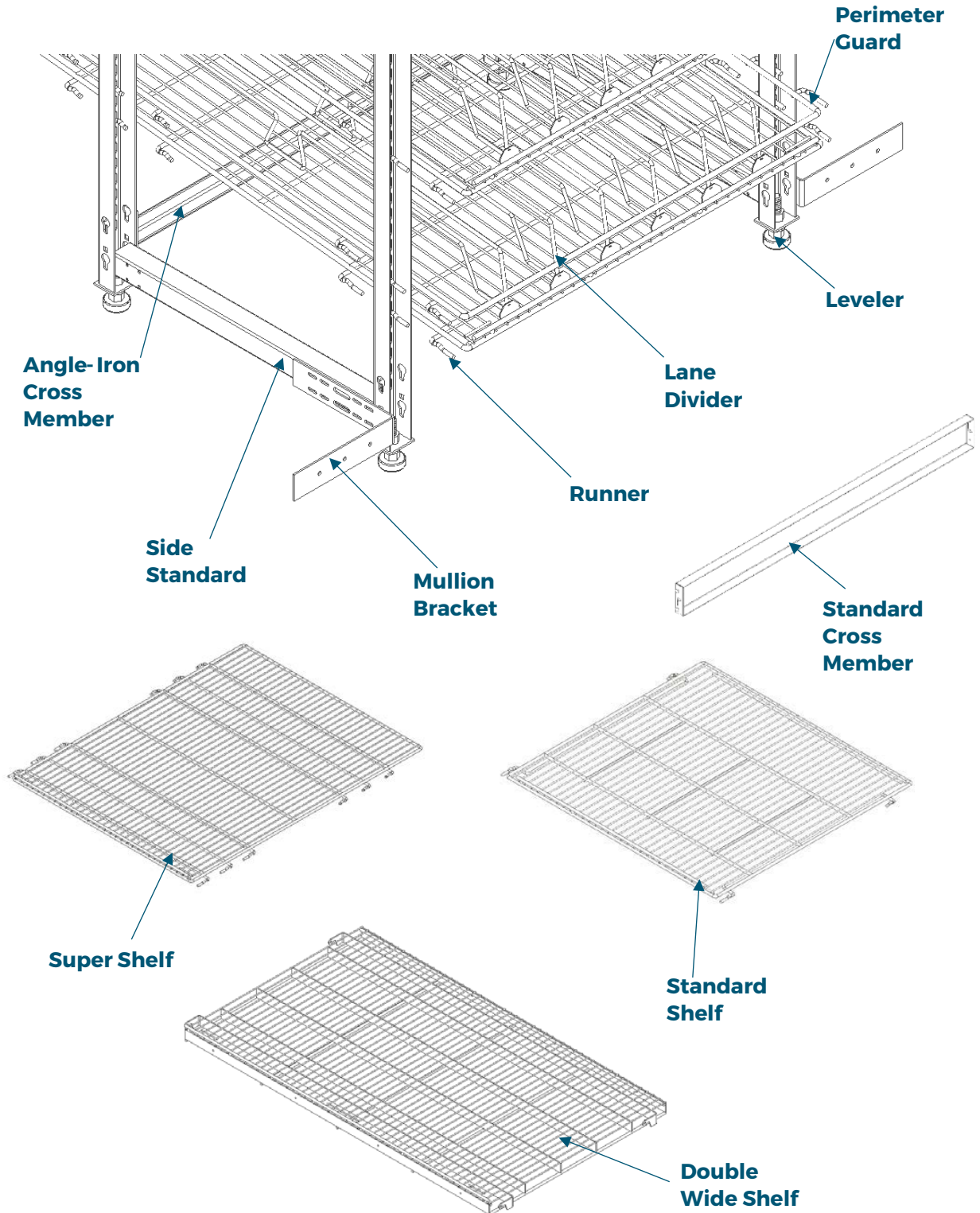
- **INSERT SHELVING COMPONENTS ON THE BOTTOM FIRST AND WORK TOWARDS THE TOP.**
- **MAKE SURE THERE IS ENOUGH ROOM FOR ASSEMBLING BEFORE GETTING STARTED.**
- **INSTALL COMPONENTS ONLY AS INSTRUCTED.**
- **DO NOT CLIMB OR STAND ON SHELVES.**



Terms:

- **Post (Upright):** Vertically orientated component located at 4 corners of Shelving Unit.
- **Side Standards:** Ends of Shelving Units comprised of 2 posts and 2 welded supports each.
- **Cross members:** Horizontally mounted components that connect two side standards and support Shelves.
- **Angle Iron Cross Member:** Cross member made up of angle iron and two end plates.
- **Foot Plate:** Plate welded to bottom of posts for anchoring or levelers.
- **Mullion Bracket:** L-shaped bracket that connects the Side Standards to the cooler wall.
- **Runner:** Hook (4 per) on shelves that sit in holes on the posts and supports each shelf.
- **Stand-A-Lone:** Complete unit consisting of side standards, cross members, shelves, and mullion brackets. Sits directly behind the cooler door.
- **Line-Up:** Assembly of Multiple Stand-A-Lone Units sharing common Side Standards.
- **Leveler:** Threaded Foot with rubber bottom used to level out the Stand A Lone.
- **Lane Divider:** Wire assembly with welded clip used to divider product on each shelf.
- **Perimeter Guard:** Wire assembly that hooks in to each post and supports product horizontally.
- **Slip Sheet:** Plastic sheet with grooves that sits on top of shelf to help product slide to the front of each inclined shelf.
- **Leveler & Fastener Kit:** Kit containing two levelers and nuts to fit and fasteners to attach each cross member to Side Standards and Mullion brackets to wall.
- **Super Shelf:** 30x36, 30x43, or 30x60 Shelf, reinforced with 6 runner wires for versatility.
- **Standard 30 inch shelf:** NWP standard shelf with 2 runners (1 front, 1 back). 30 inch wide x 24, 27, or 30 inch deep.
- **Double wide shelf:** 48 or 60 inch wide shelf with sheet metal braces for added strength and sheet metal runners.

**Sizes and Quantity of Components vary depending on model ordered.*



Getting Started:

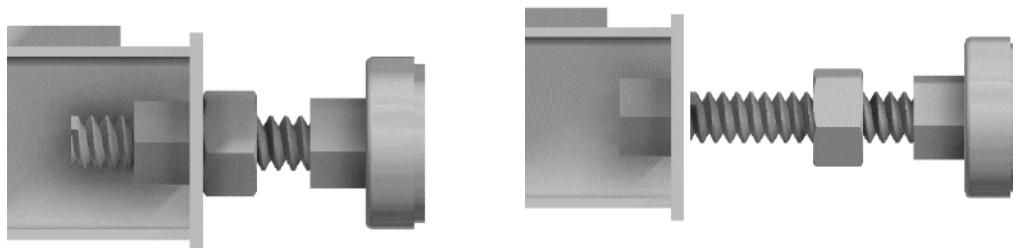
What you will need:

- **Tools**
 - **7mm Wrench/Socket x 2**
 - **8mm Socket (for Drill)**
 - **10mm Wrench/Socket x 2**
 - **Drill**
 - **Ratchet**
- **Room for Assembly, preferably, 12 ft x 12 ft area at minimum.**
- **All necessary components.**

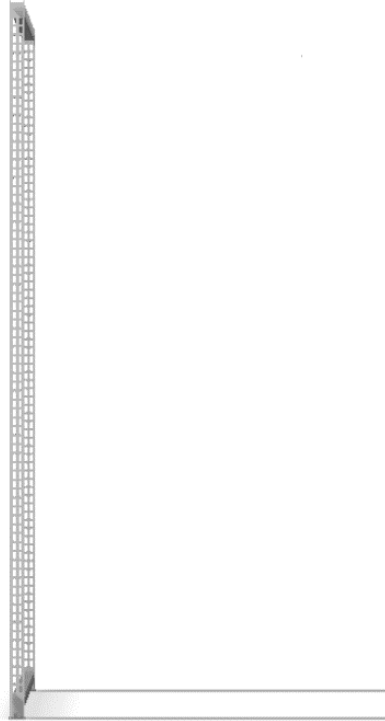
Step 1) To begin, lay one Side Standard on its side as shown.



Step 2) Add levelers by screwing them into foot plates on each post. Turning the leveler clockwise (facing bottom of base plate) will tighten and counter clockwise to loosen. Make sure you tighten tensioning nut snug to the bottom of the post.

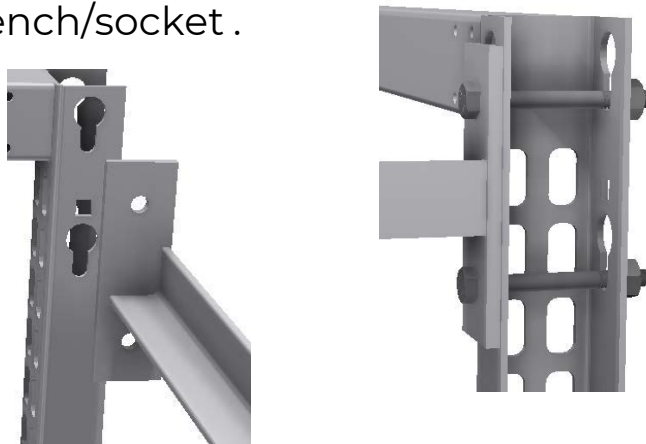


Step 3) Stand Side Standard up as shown.

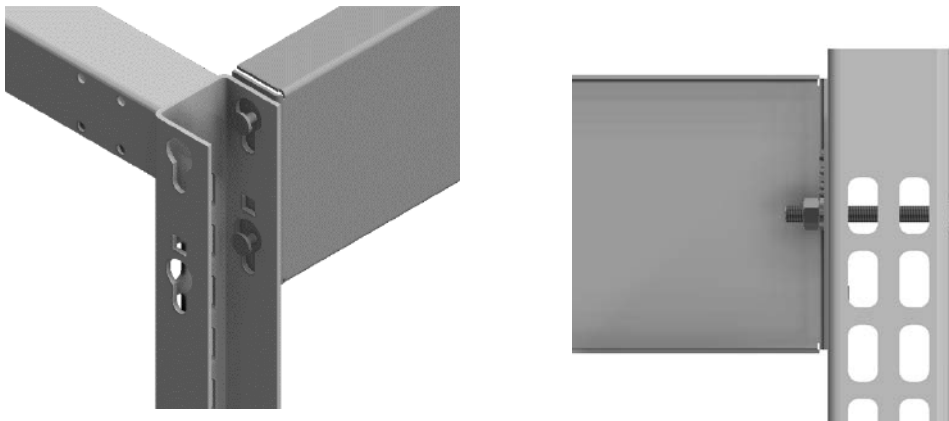


Step 4) Next, attach the first cross member.

If ordered Cross Members are Angle Iron, line up top and bottom holes so that the Open Side of the angle is facing inward, as shown. Then take 2 M6 nuts, 2 lock washers and 2 M6 bolts to fasten to the Side Standard using 10 mm wrench/socket.

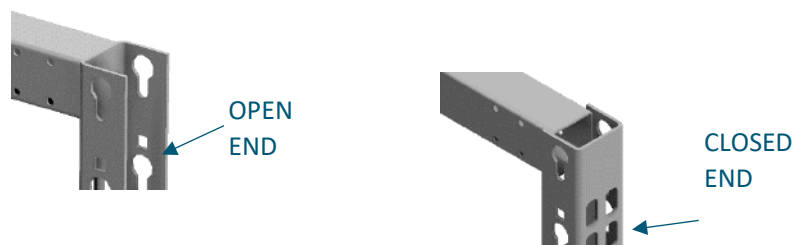


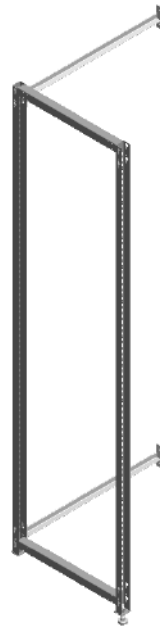
If ordered Cross Members are Standard, insert studs into wide holes in cross members, lower into bottom holes and use 10mm wrench/socket to fasten 1 M6 nut, 1 lock washer and 1 M6 bolt to the Side standard.



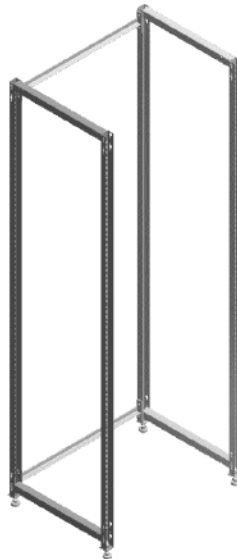
Step 5) Next, take another cross member and do the same until you have the Desired Pattern/Number of Cross members. For example, shown below is top back and bottom back.

***Note:** Depending on which shelf you are using, Front and back will be different. For Super Shelves and Standard Shelves, Front of the shelf will be the open end of the Side Standard. For Double Wide shelves, the closed end will be the front.*





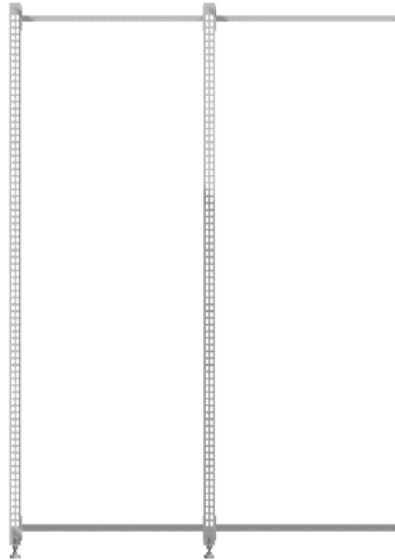
Step 6) Now take another Side Standard and attach it to each of the Cross Members, lining up corresponding holes, and/or studs, and fastening as in Step 3 with M6 bolts, nuts and washers from leveler kit.



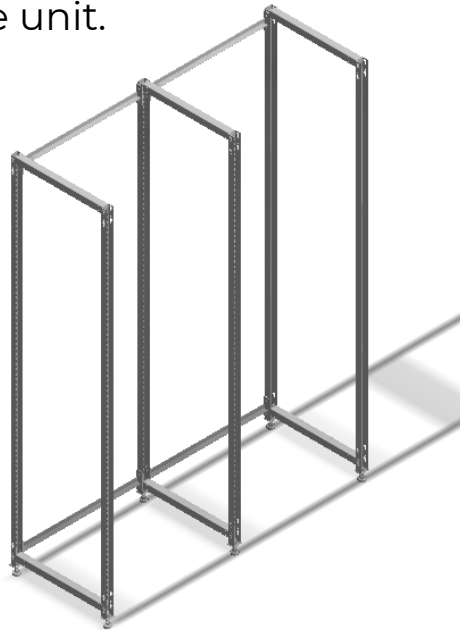
***Remember to adjust Levelers when necessary during assembly.**

Step 7) Add additional Side Standards to the unit if needed based on the number of Doors ordered.

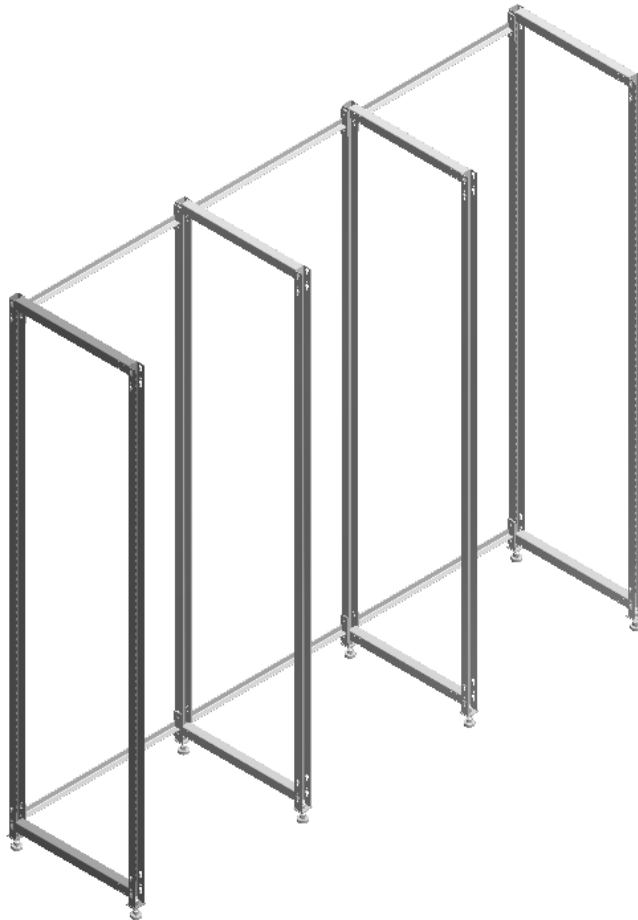
With the Stand-a-lone unit standing up, attach another set of cross members and fasten as in Steps 3-4.



Step 8) Next, add another side standard like in step 4, but add the levelers to the side before attaching to the rest of the Stand-A-Lone unit.

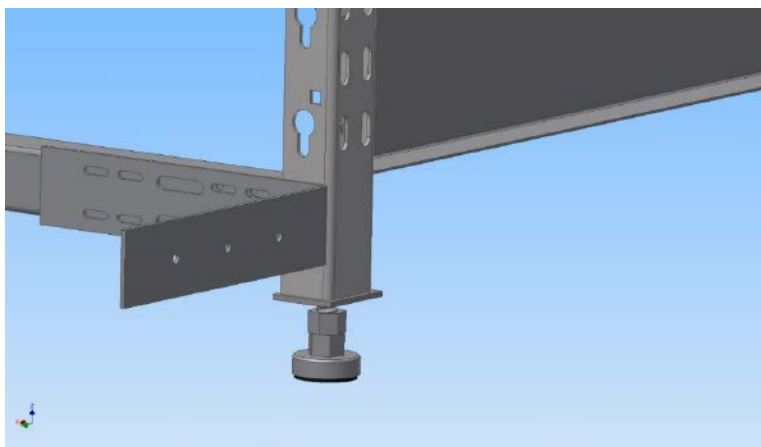


Step 9) Repeat these steps until you have completed enough for all the doors. For example, 3 Door Line-up shown below.

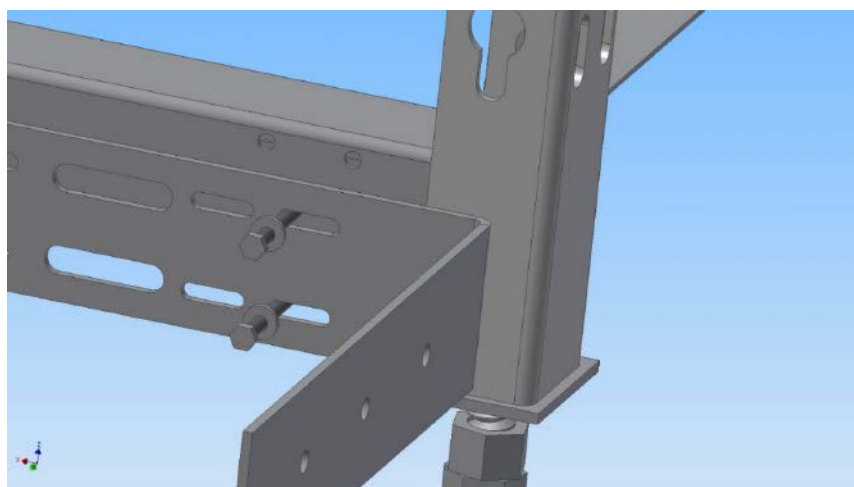


Mullion Bracket Installation

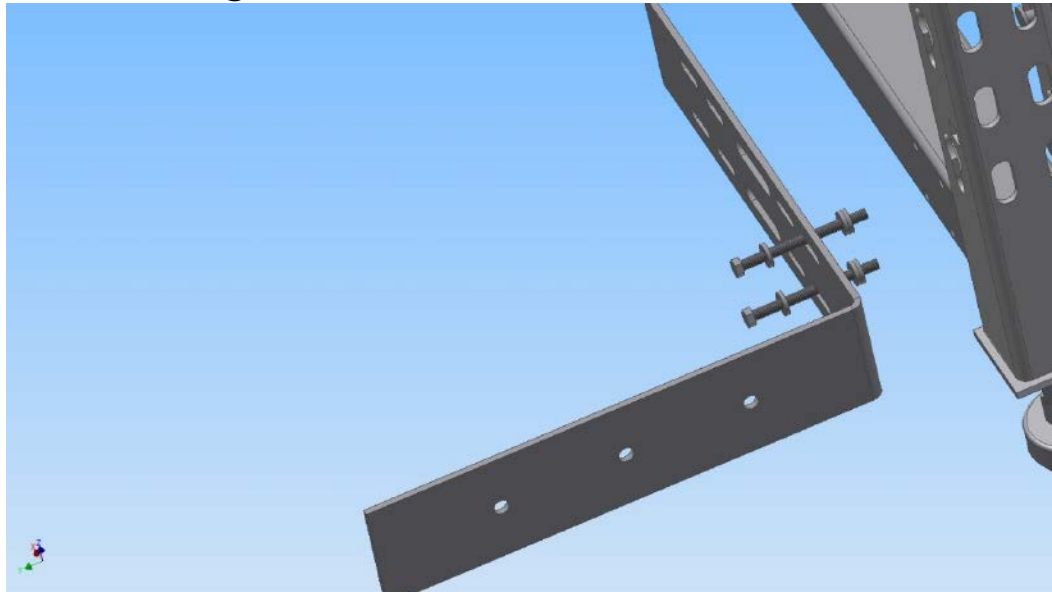
- 1) Determine the space needed between the Cooler Wall and the Side Standard. Starting with Bottom L-Bracket, line up Slots in L-Bracket with Holes on Side Standard.



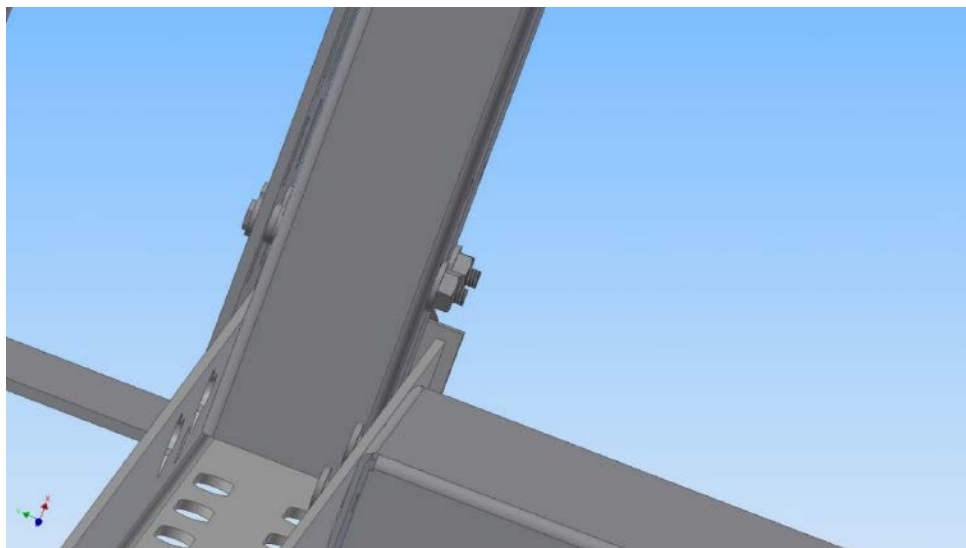
- 2) With one washer already on each M4 bolt, insert 2 bolts through the Slots.



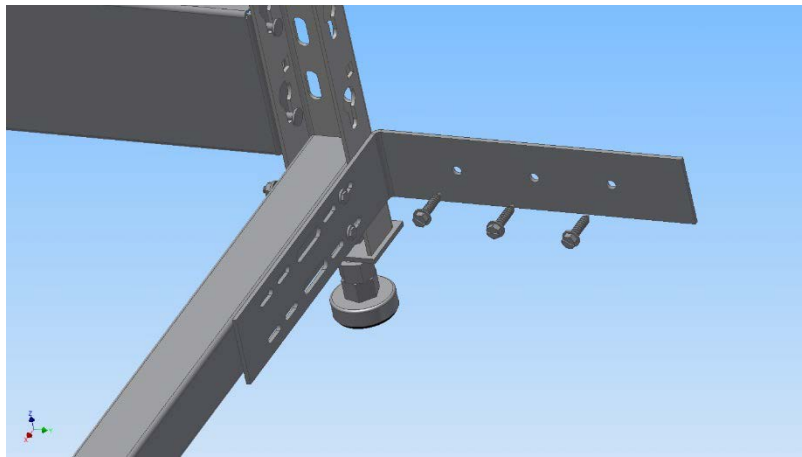
- 3) Place two washers on each bolt before inserting bolts through the holes in the Standard.



- 4) Bolts should come completely through the tube. Install M4 Nuts on to each bolt and tighten using 7mm wrenches/sockets .



- 5) Use Drill with 8mm socket and #12-11 Sheet Metal Screws to fasten Stand -a-lone to Cooler Wall.

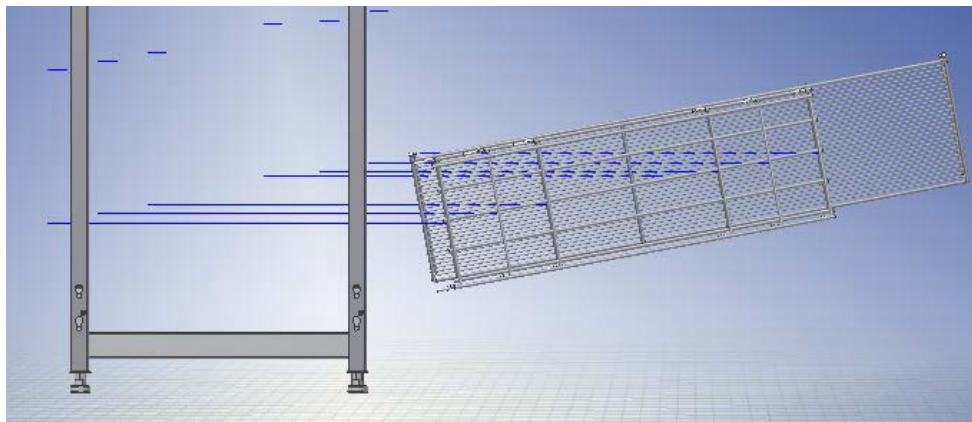


- 6) Repeat steps 1-5 until each Standard has desired amount of Mullion Brackets.

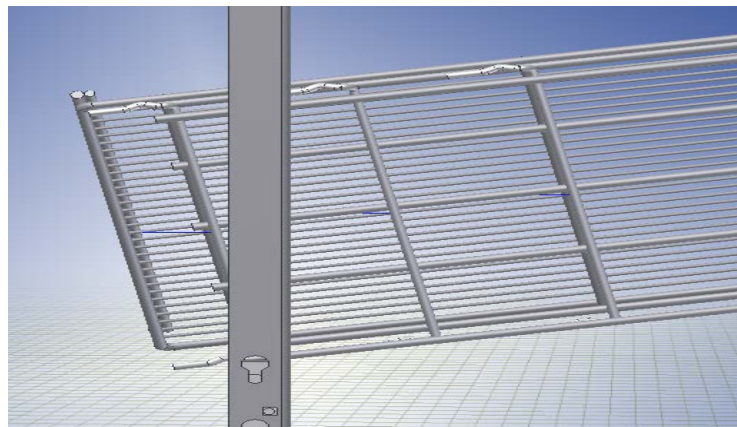
SHELVING INSTALLATION

For Super Shelves

- 1) Start by taking a shelf with the back side against your body (The hooks should be pointing towards the front of the cooler) and rotate it 30 degrees. ALWAYS START WITH BOTTOM SHELF.



- 2) Next slide the shelf between the two sides until it reaches the space before the desired hook.



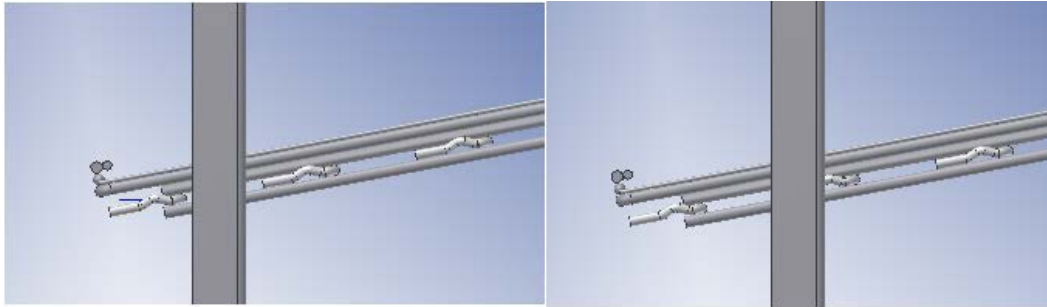
Note: For best results follow the below guide.

30 INCH DEEP SHELVING TO BE INSTALLED ON 1st HOOK

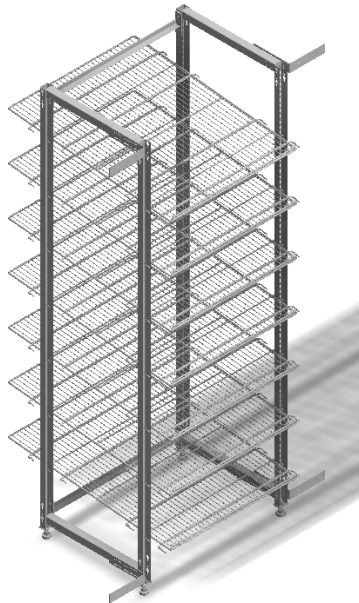
36 INCH DEEP SHELVING TO BE INSTALLED ON 2nd HOOK

43 INCH DEEP SHELVING TO BE INSTALLED ON 3rd HOOK

- 3) Rotate the shelf until flat and line up the hooks. Insert the hooks into the appropriate alignment, making sure the shelf is hooked evenly on both sides.

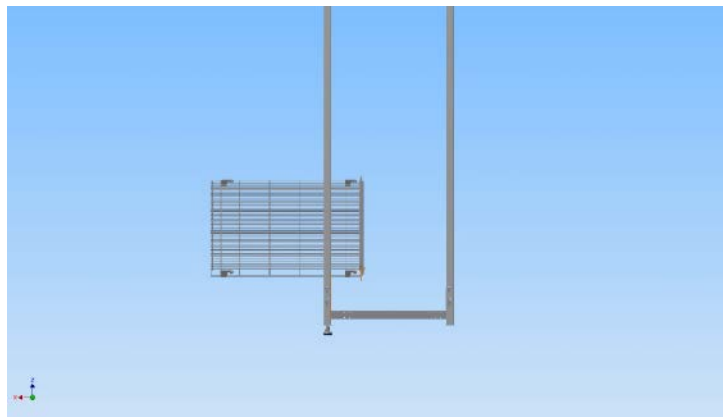


- 4) Repeat Steps 1 thru 3 for the remaining shelves using the space needed for product.

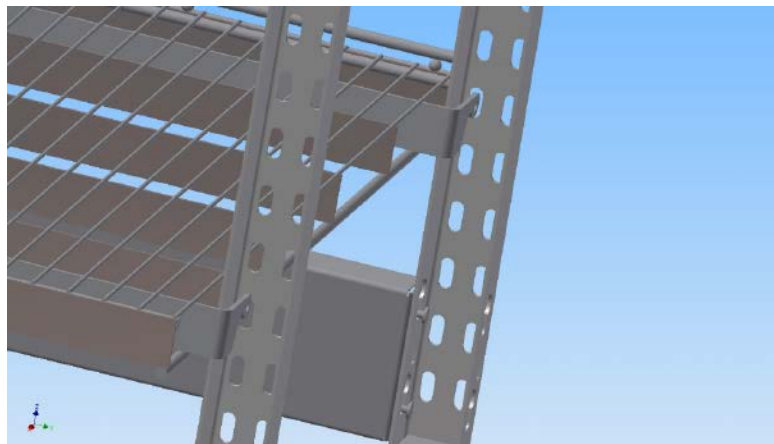


For 48" or 60" Double Wide Shelving

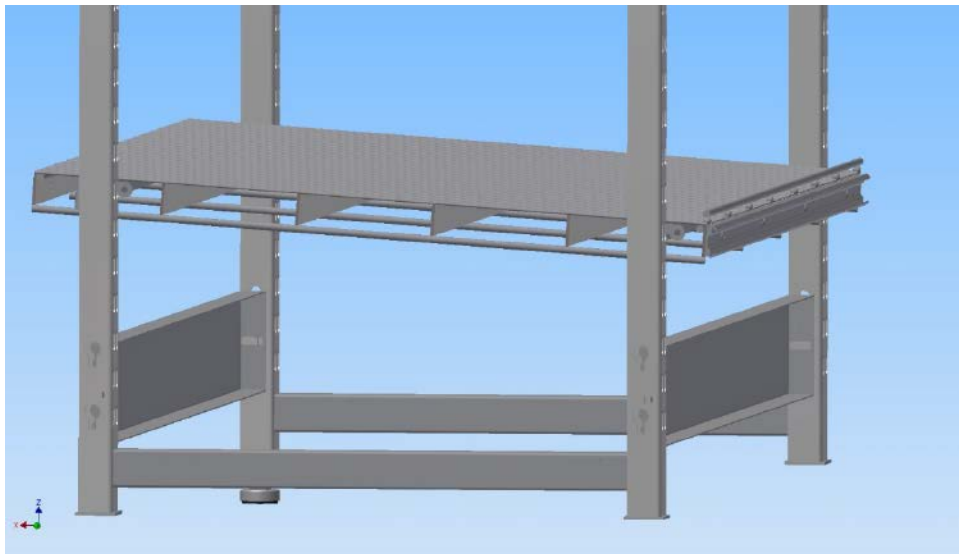
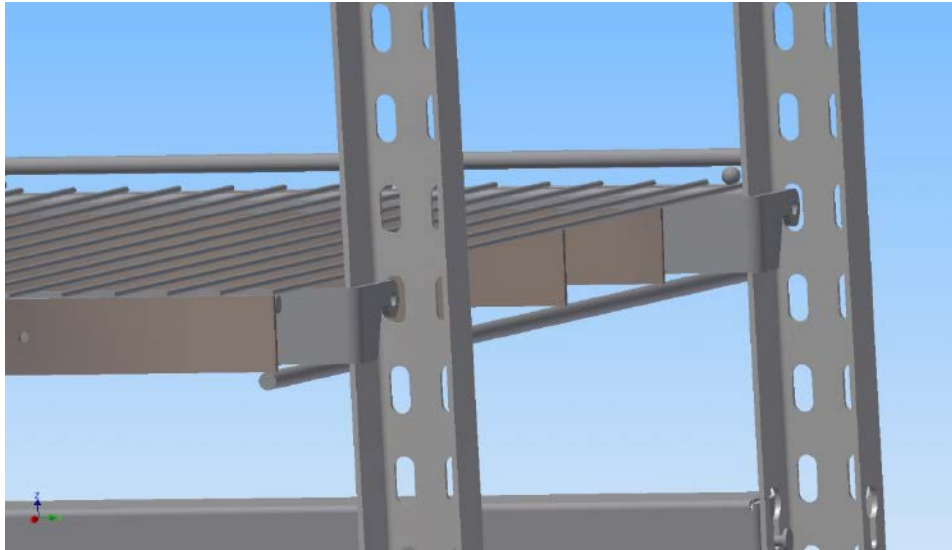
- 1) From the back side (Open end, with the closed in facing the door), bring the Shelf in at an angle between the two Standards.



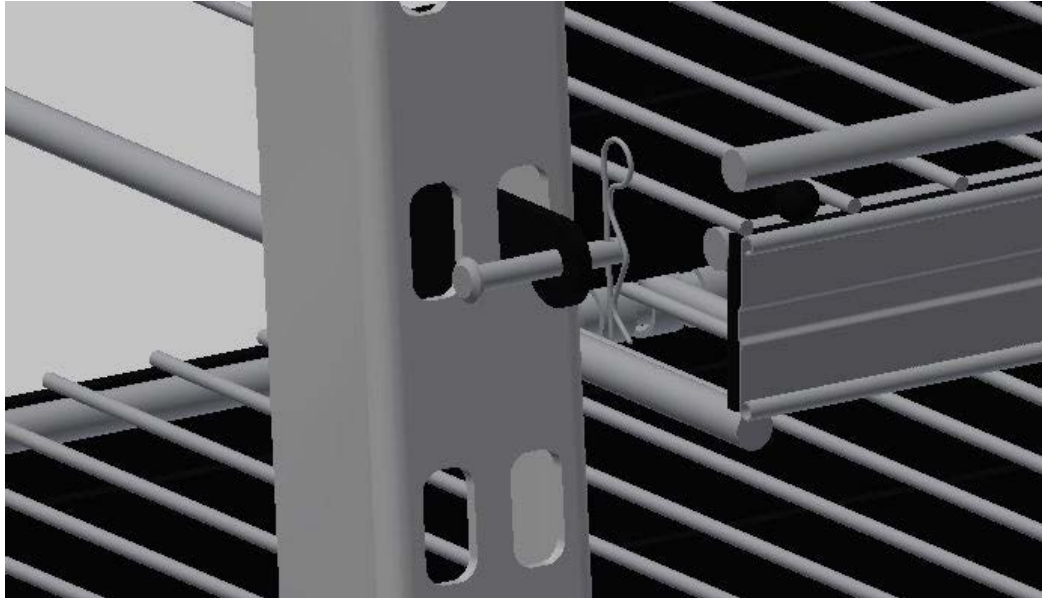
- 2) Find the desired Slots for the front two notches (Starting with the bottom shelf first). Insert the tip of the Notches into the slots.



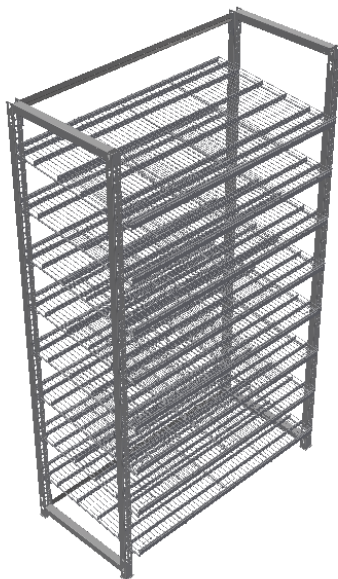
- 3) Find the desired Slots for the back two notches and insert all 4 corners.



- 4) Insert Clevis Pins into Front Right and Back Left or Front Left and Back Right .250" Notched Holes. Then secure Clevis pins with Hitch Pins and shown to secure the Shelf.

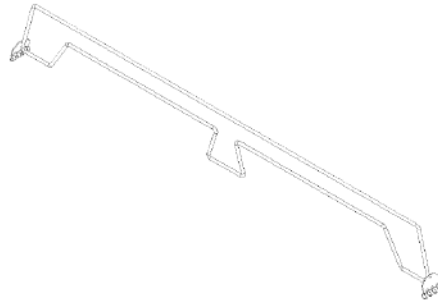


- 5) Repeat Steps 1-4 until all shelves are installed.

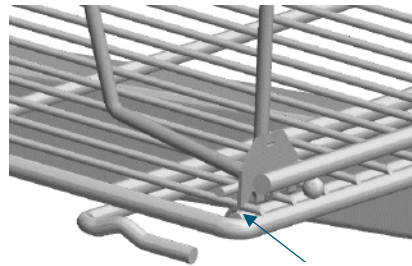


ACCESSORIES

LANE DIVIDER

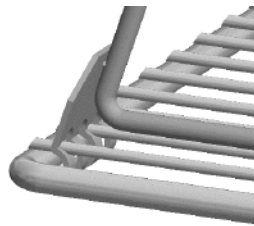


To install a lane divider, use the retainer wire of the shelf getting the divider. Snap one end of the divider clip on the front of the rack as shown.

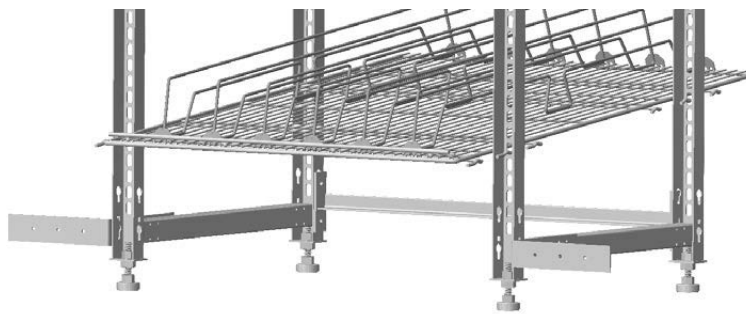


Retainer Wire

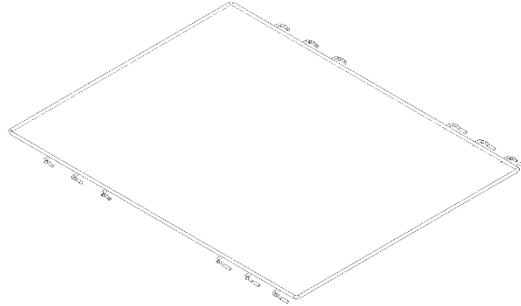
Lower the Divider parallel with the shelf and bow the divider slightly inward so that the back clip will snap onto the back Frame wire.



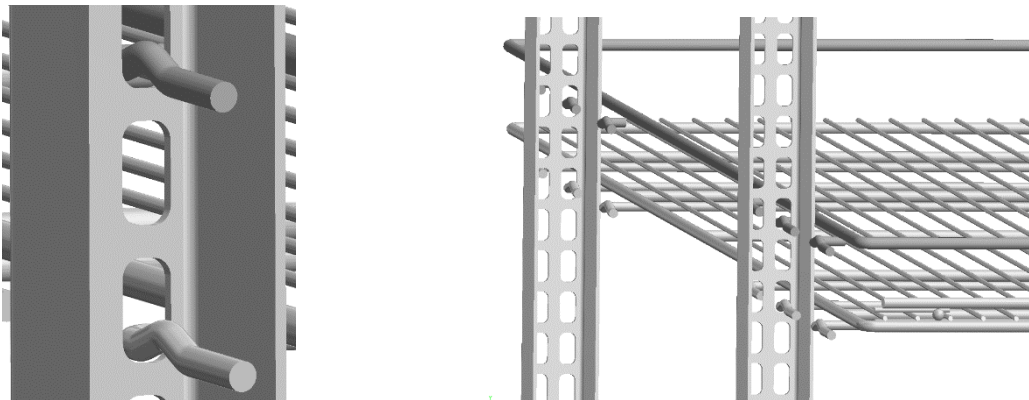
Repeat until Desired number of Dividers are installed.



Perimeter Guard

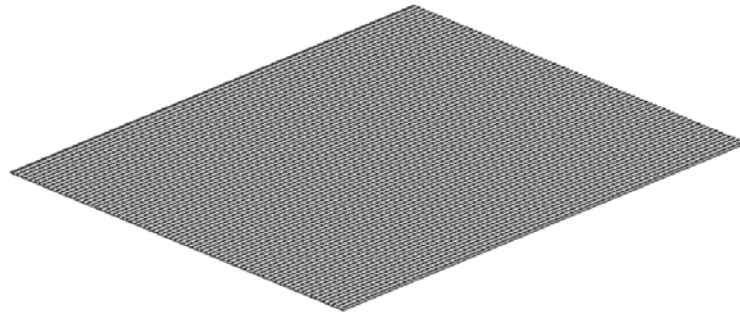


Install Perimeter Guards (1 per shelf) much the same as a shelf. Line up the runners with the desired slots on the post, usually 1 to 2 slots above those used by the shelf.

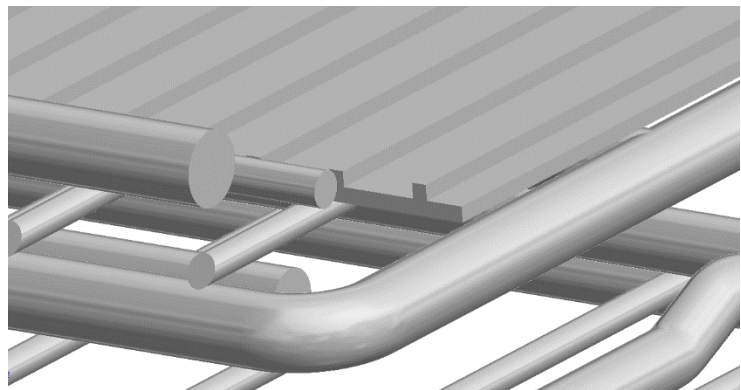


Repeat for remaining shelves.

Slip Sheet



Install Slip sheets by placing sheets (notched side up) on top of shelf behind the Ball wire and centered left to right on each shelf. If using Double Wide Shelving, place slip sheet behind the slip sheet wires.



Repeat for remaining shelves.